

# BioFlex PermaFrame



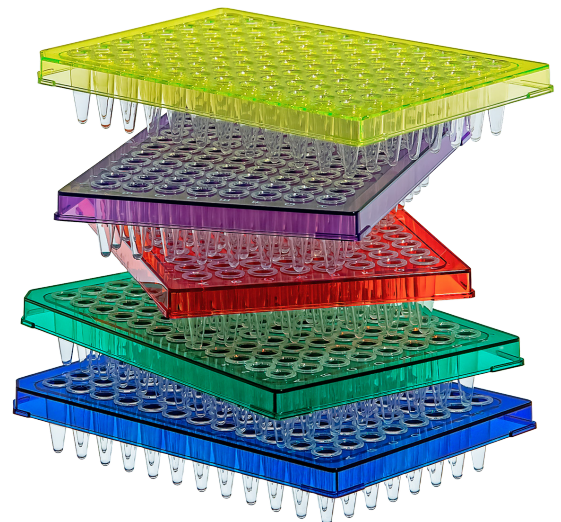
## Rigid PCR Plates

### BioFlex PermaFrame PCR Plates: Rugged Polycarbonate Frame + Polypropylene Wells

Engineered for unparalleled durability, BioFlex® PermaFrame™ PCR Plates are designed to accommodate all laboratory workflows and are ideal for use on automated liquid handling platforms.

**PermaFrame™ sets a new standard in performance and convenience.**

- Polycarbonate frame is rigid and flat to facilitate a firm grip by robotic arms and ensure reliable placement.
- Polypropylene wells provide optimal thermal transfer and higher reaction efficiency.
- White well options enhance the fluorescence signal during qPCR.
- Wells are slightly raised to ensure evaporation-proof sealing with film, foil, or strip caps.
- ANSI/SBS footprint and well spacing.
- Vibrant colors offer a visual distinction between different samples or experiments.



**Bio Plas PCR consumables  
deliver accurate and reproducible results.**

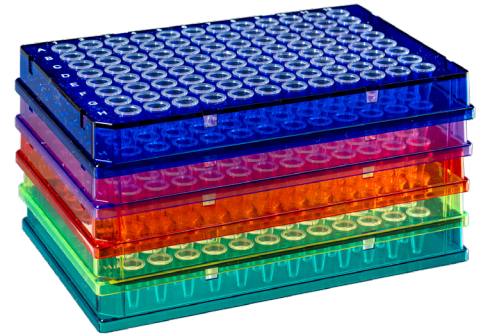
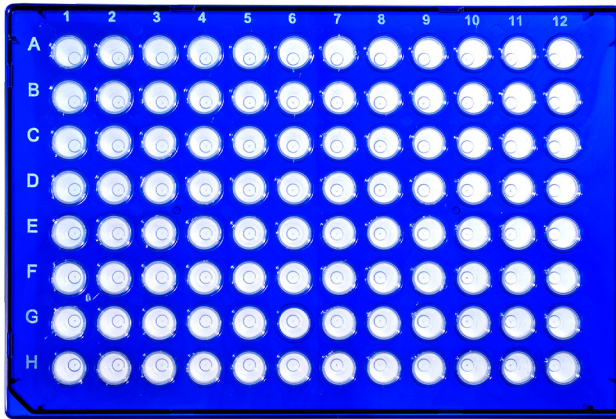
### PermaFrame™ Rigid PCR Plates

Frame Color	Well Color	96-Well Full-Skirt 0.1mL	96-Well Semi-Skirt 0.2 mL	384-Well, Full-Skirt A24 Notch	384-Well, Full-Skirt A24, P24 Notches
		Item #	Item #	Item #	Item #
Clear	Clear	9200 <sup>2</sup>	9300	9100 <sup>2</sup>	9000 <sup>2</sup>
Blue	Clear	9201	9301	9101	--
Green	Clear	9202	9302	9102	--
Red	Clear	9204	9304	9104	--
Violet	Clear	9205	9305	9105	--
Yellow	Clear	9206	9306	9106	--
Assorted <sup>1</sup>	Clear	9209	9309	9109	--
Clear	White	9200-W <sup>2</sup>	--	9100W <sup>2</sup>	--

<sup>1</sup> Assorted colors include Blue, Green, Red, Violet, Yellow. <sup>2</sup> Available with barcode. Custom barcoding available.

# 96-Well Rigid PCR Plate

1.0 ML FULL-SKIRT

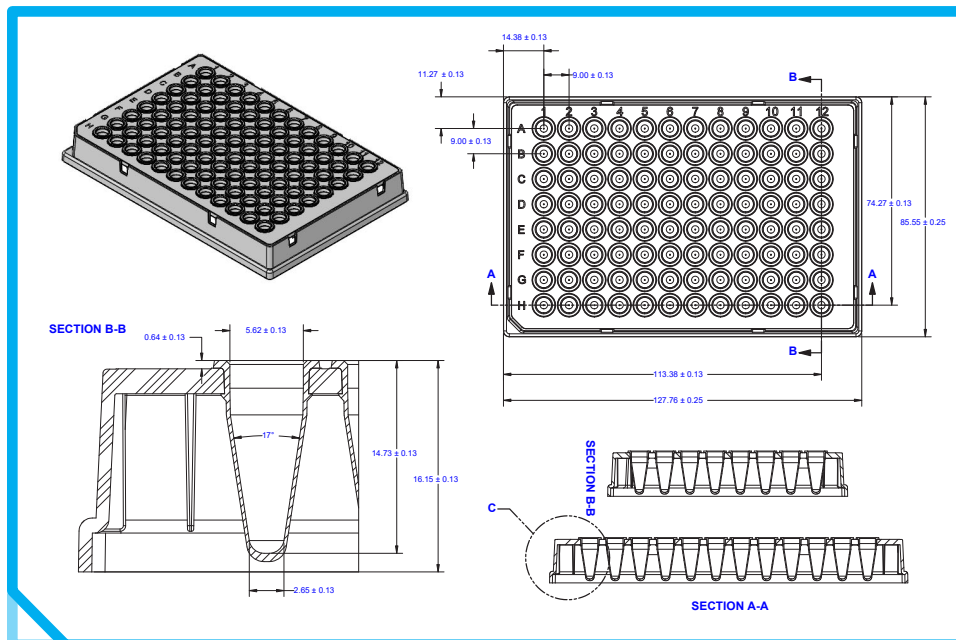


## 96-Well PermaFrame™ Rigid PCR Plate Full-Skirt, H12 Notch

- Polycarbonate frame is rigid and flat to facilitate a firm grip by robotic arms and ensure reliable placement.
- Polypropylene wells provide optimal thermal transfer and higher reaction efficiency.
- White well options enhance the fluorescence signal during qPCR.
- Wells are slightly raised to ensure evaporation-proof sealing with film, foil, or strip caps.
- ANSI/SBS footprint and well spacing.
- Vibrant colors offer a visual distinction between different samples or experiments.

Item #	Well Color	Frame Color
9200	Clear	Clear
9200-BC	Clear	Clear
9201	Clear	Blue
9202	Clear	Green
9204	Clear	Red
9205	Clear	Violet
9206	Clear	Yellow
9209	Clear	Assorted <sup>2</sup>
9200-W	White	Clear
9200-WBC	White	Clear

<sup>2</sup> Assorted Colors: Blue, Green, Red, Violet, Yellow.



Drawing not to scale.

All dimensions are in mm, unless otherwise noted.

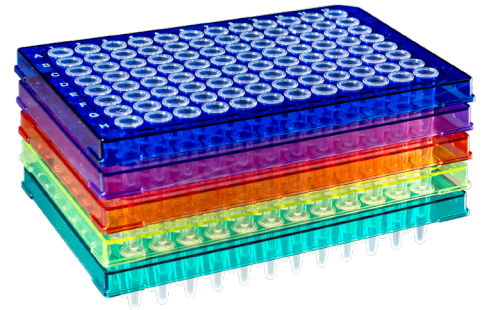
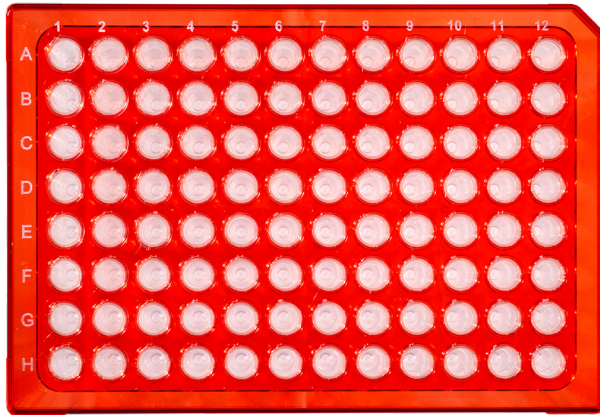
Blue frame is to scale with actual size plate.

## Dimensions

Length at Base Plane	127.76 mm
Width at Base Plane	85.56 mm
Height	16.15 mm
Well Depth	14.73 mm
Well Diameter at Opening	5.62 mm
Well Diameter at Bottom of Conical Base	2.65 mm
Well Volume	100 µL
Well Spacing	9.0 mm
Well Angle	17 degrees
Well Offset	
Left Edge to Well A1	14.38 mm
Top Edge to Well A1	11.27 mm
Left Edge to H12	127.76 mm
Top Edge to H12	74.27 mm

# 96-Well Rigid PCR Plate

## 0.2 ML SEMI-SKIRT



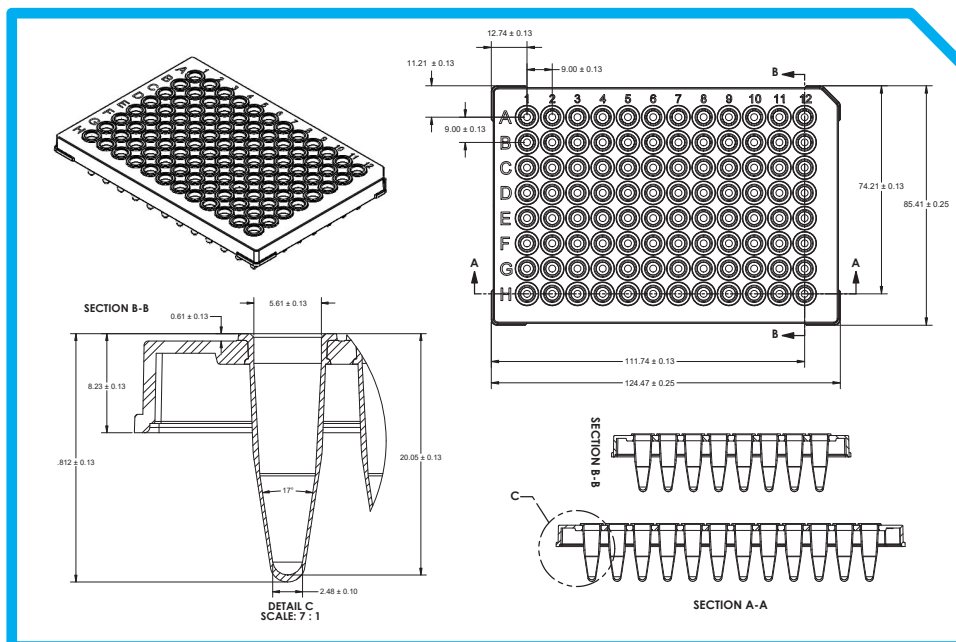
### 96-Well, PermaFrame™ Rigid PCR Plate Semi-Skirt, A12 Notch

- Polycarbonate frame is rigid and flat to facilitate a firm grip by robotic arms and ensure reliable placement.
- Polypropylene wells provide optimal thermal transfer and higher reaction efficiency.
- Wells are slightly raised to ensure evaporation-proof sealing with film, foil, or strip caps.
- ANSI/SBS footprint and well spacing.
- Vibrant colors offer a visual distinction between different samples or experiments.

Item #	Well Color	Frame Color
9300	Clear	Clear
9300-BC*	Clear	Clear
9301	Clear	Blue
9302	Clear	Green
9304	Clear	Red
9305	Clear	Violet
9306	Clear	Yellow
9309	Clear	Assorted <sup>2</sup>

\* Pre-barcoded on P1-P24 front side.

<sup>2</sup> Assorted Colors: Blue, Green, Red, Violet, Yellow.



Drawing not to scale.

All dimensions are in mm, unless otherwise noted.

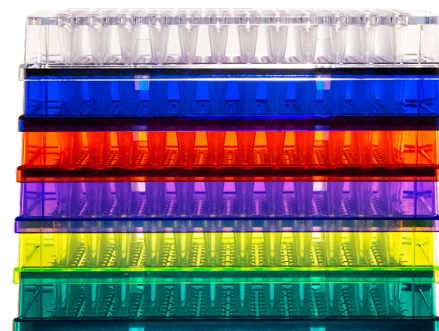
Blue frame is to scale with actual size plate.

### Dimensions

Length at Base Plane	124.47 mm
Width at Base Plane	85.41 mm
Height	21.81 mm
Well Depth	20.05 mm
Well Diameter at Opening	5.61 mm
Well Diameter at Bottom of Conical Base	2.48 mm
Well Volume	200 µL
Well Spacing	9.0 mm
Well Angle	17 degrees
Well Offset	
Left Edge to Well A1	12.74 mm
Top Edge to Well A1	11.21 mm
Left Edge to H12	111.74 mm
Top Edge to H12	74.21 mm

# 384-Well Rigid PCR Plate

FULL-SKIRT, SINGLE NOTCH AT A24



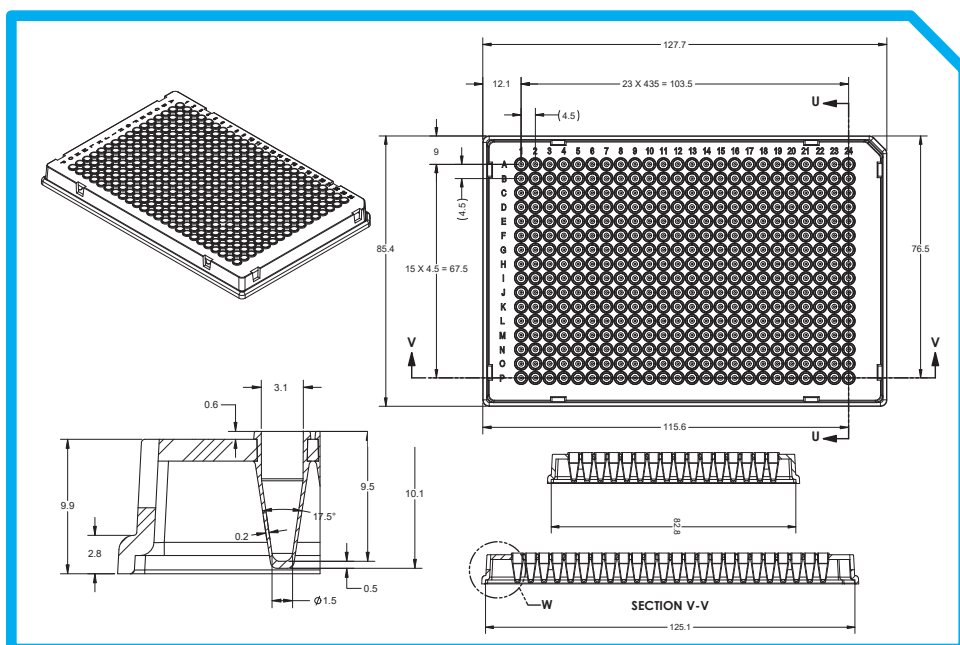
## 30 $\mu$ L 384-Well, Full-Skirt, A24 Notch PermaFrame™ Rigid PCR Plate

- Polycarbonate frame is rigid and flat to facilitate a firm grip by robotic arms and ensure reliable placement.
- Polypropylene wells provide optimal thermal transfer and higher reaction efficiency.
- White well options enhance the fluorescence signal during qPCR.
- Wells are slightly raised to ensure evaporation-proof sealing with film, foil, or strip caps.
- ANSI/SBS footprint and well spacing.
- Vibrant colors offer a visual distinction between different samples or experiments.

Item #	Well Color	Frame Color
9100	Clear	Clear
9100-BC*	Clear	Clear
9101	Clear	Blue
9102	Clear	Green
9104	Clear	Red
9105	Clear	Violet
9106	Clear	Yellow
9109	Clear	Assorted <sup>2</sup>
9100-W	White	Clear
9100-WBC*	White	Clear

### Dimensions

Weight	26.033 g
Length at Base Plane	127.7 mm
Width at Base Plane	85.4 mm
Height	10.1 mm
Well Depth	9.5 mm
Well Diameter at Opening	3.1 mm
Well Diameter at Bottom of Conical Base	1.5 mm
Well Volume	30 $\mu$ L
Well Spacing	4.5 mm
Well Angle	17.5 degrees
Well Offset	
Left Edge to Well A1	12.1 mm
Top Edge to Well A1	9.0 mm
Left Edge to P12	115.6 mm
Top Edge to P12	76.5 mm



Drawing not to scale.

All dimensions are in mm, unless otherwise noted.

Blue frame is to scale with actual size plate.

\*Pre-barcoded on P1-P24 front side.

<sup>2</sup>Assorted Colors: Blue, Green, Red, Violet, Yellow.

# 384-Well Rigid PCR Plate

FULL-SKIRT, DUAL NOTCH AT A24 & P24

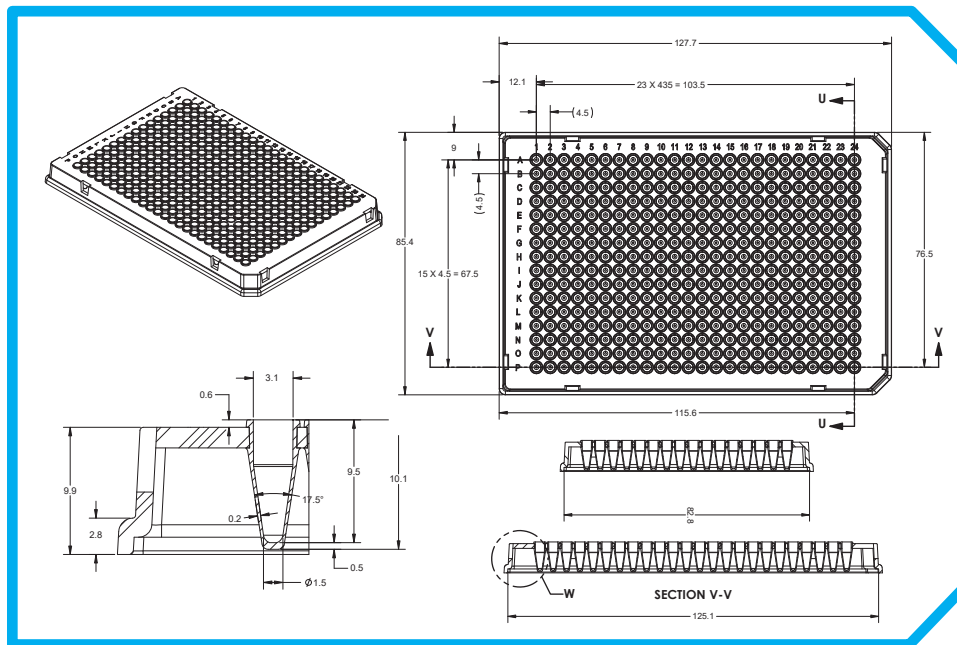


## 30 $\mu$ L 384-Well, Full-Skirt, A24, P24 Notch PermaFrame™ Rigid PCR Plate

- Polycarbonate frame is rigid and flat to facilitate a firm grip by robotic arms and ensure reliable placement.
- Polypropylene wells provide optimal thermal transfer and higher reaction efficiency.
- Wells are slightly raised to ensure evaporation-proof sealing with film, foil, or strip caps.
- ANSI/SBS footprint and well spacing.

Item #	Well Color	Frame Color
9000	Clear	Clear
9000-BC*	Clear	Clear

\* Pre-barcoded on P1-P24 front side.



Drawing not to scale.

All dimensions are in mm, unless otherwise noted.

Blue frame is to scale with actual size plate.

## Dimensions

Weight	25.901 g
Length at Base Plane	127.7 mm
Width at Base Plane	85.4 mm
Height	10.1 mm
Well Depth	9.5 mm
Well Diameter at Opening	3.1 mm
Well Diameter at Bottom of Conical Base	1.5 mm
Well Volume	30 $\mu$ L
Well Spacing	4.5 mm
Well Angle	17.5 degrees
Well Offset	
Left Edge to Well A1	12.1 mm
Top Edge to Well A1	9.0 mm
Left Edge to P12	115.6 mm
Top Edge to P12	76.5 mm